

# Kessil

LED PhotoReaction Lighting

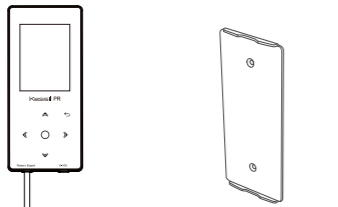
## PR Controller

USER MANUAL



### INSIDE THE BOX

- PR Controller
- Magnetic plate (with double-sided tape x 2)



- 5V/1A USB Wall Charger



- Warranty Card



- Kessil Brand Sticker



- Quick Start Guide



- 1 x 0-10V Unit Link Cable, 6 feet / 180cm



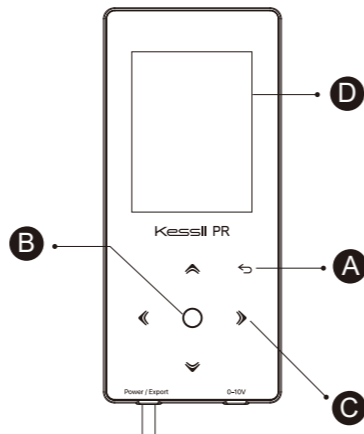
- 1 x 0-10V Unit Link Cable, 3 feet / 90cm



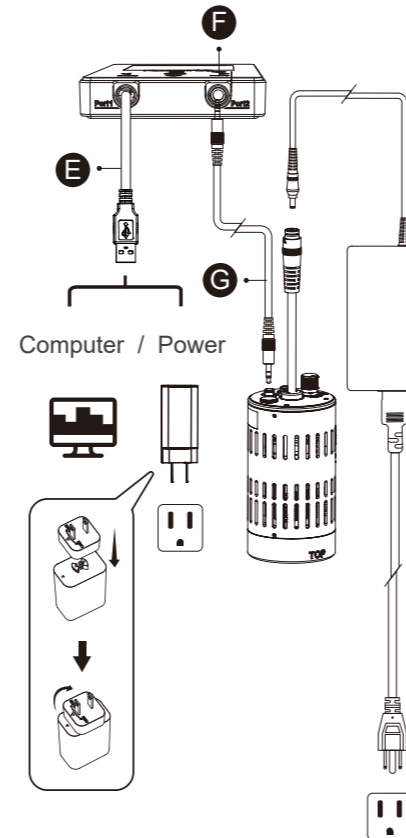
- 2 x 0-10V Unit Link Cable, 20 inches / 50cm



### NAVIGATION



- A Return
- B Enter
- C Direction Pad
- D Display Screen (Not a touch screen)
- E Power / Export USB-A Cable
- F 0-10V Output Port
- G 0-10V Unit Link Cable, 6 feet / 180cm
- H 0-10V Unit Link Cable, 3 feet / 90cm
- I 0-10V Unit Link Cable, 20 inches / 50cm



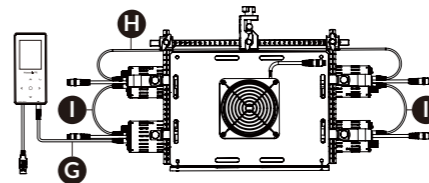
### GETTING STARTED

#### Step 1 Power & Connection

- Plug the USB-A Cable "pigtail" (E) to the USB wall charger or a computer to power on PR Controller.
- Plug the Unit Link Cable (6 feet / 180cm) to the 0-10V port of PR Controller and of PR160L (input port).
- Plug the PR160L to the power supply and plug the AC cable of the power supply to a wall outlet.

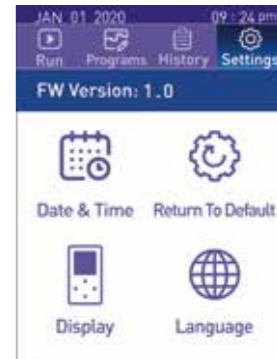
#### Full Setup

Up to 4 x PR160L lamps can be connected and synced on the Rig w/ Fan Kit (optional accessory)



#### Step 2 Set Up

- Use the Direction Pad (C) to navigate to the **Settings** tab.
- Press to access the settings.
  - Set the current date & time
  - Set the preferred language
- Press to return to tab options.



kessil.led

kessiltube

@kessilled

@kessilPR

kessil.com

**Kessil PhotoReaction Lighting**  
**A DiCon Brand**  
 1689 Regatta Blvd,  
 Richmond, CA 94804  
 (510) 620-5250

### Step 3 Run

- Use the Direction Pad (C) to navigate to the **Run** tab.
- Press **O** to access the Run settings
- Press **◀ ▶** to select start time : Now / 10 minutes / 1 hour later / **00:00**  
Press **▼** to navigate to the Program row.
- Press **◀ ▶** to select program. Press **▼** to navigate to the Program Graph.
- Press **◀ ▶** to view steps. Press **▼** to navigate to **▶ Run** button.
- Press **▶ Run** to start program.
- Hold** Button : Freeze lights and stay in this step.
- Pause** Button : Pause the program and turn off lights.
- Abort** Button : End the program.



### Step 4 Programs

- Use the Direction Pad (C) to navigate to the **Programs** tab.
- Press **O** to access the Programs settings.
- Press **◀ ▶** and then **O** to select **+** to add a new program or **🗑️** to delete a program.
- Press **▼** to select the program, press **O** to edit program's details.
- Edit Program Name** : Press **O** to edit program's name.
- Press **◀ ▶** and then **O** to select **+Step** or **🗑️ Step** .
- Press **▼** and **O** to edit step **✎** .
- Press **O** and then **◀ ▶** to adjust **"Intensity"** or **"Go to Step"**.
- Press **↶** to save the Program settings.



### Step 5 History Note & PC Tool

- Use the Direction Pad (C) to navigate to the **History** tab.
- Press **O** to access the History note.
- History notes show the programs that were executed.

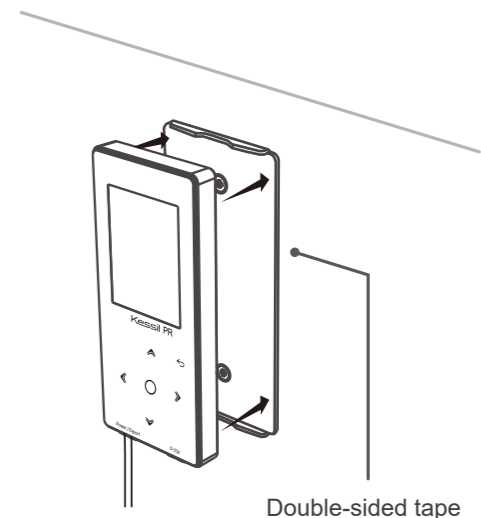
#### PR Controller PC Tool

- Plug the USB-A cable "pigtail" (E) to the computer and open the PR Controller PC Tool (download from Kessil website)
- Update firmware or export History log file.
- Select program under "History List" and the format under "Time Format" to generate program graph.
- Export history notes in CSV or TXT file format.



### Step 6 Mounting

- Use the double-sided tape provided to secure the magnetic back plate to a wall or chemical hood window.
- Simply place the PR Controller onto the magnetic back plate.



Job well done !

## SAFETY INSTRUCTIONS

- DO NOT** use a power adapter outside the specifications. This is a fire hazard and may lead to unit failure.
- DO NOT** use outdoors. This unit is intended for indoor use only.
- DO NOT** expose unit to an extremely humid environment or submerge unit in water.
- DO NOT** mount over open water.
- ENSURE** that the back plate is correctly mounted to a steady surface. Incorrect mounting can result in detachment of the plate and controller.

DC input	
Power consumption	1W maximum
Input Voltage	5VDC +-5%

For further assistance, contact Kessil customer service at (510) 620-5250.